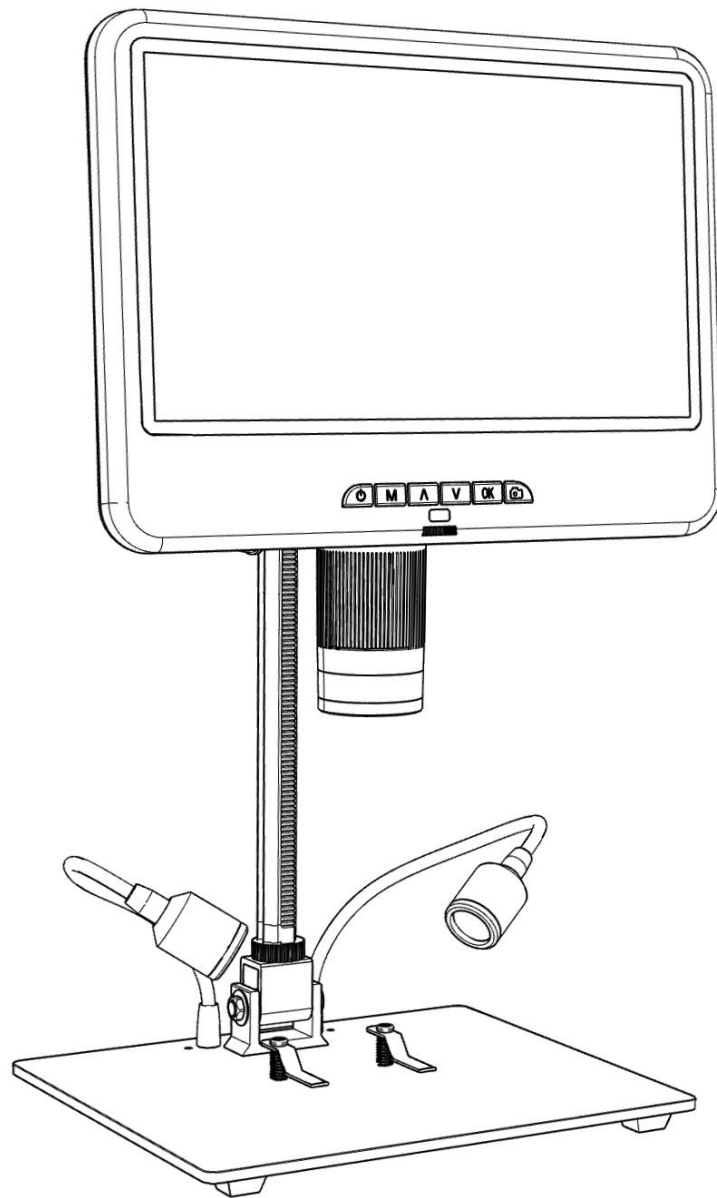


Digital Microscope Users Manual



CONTENTS

Basic Parameters	2
What's In The Box	2
Installation	3
Button Instructions	4
Quick Start	5
Adjust Magnification & Focus	5
Take Photos and Videos	5
Review and Manage Images	6
Remote Control Instructions	7
Settings	8
Safety and Maintenance	9
FAQ	9
Warranty Card	10

Basic Parameters

Image sensor	2 Mega Pixels HD Sensor
Video output	FHD1920X1080 30FPS; 1080P 1440X1080 30FPS; 720P 1280X720 30FPS
Video format	AVI
Photo resolution	Max 12M (4032*3024)
Photo format	JPG
Focus distance	Minimum 2cm
Frame Rate	Max 30f/s
Storage	Micro-SD card up to 32G (Not included, Class10 high-speed card is recommended)
Power source	USB 5V 2A DC
Stand size	18*20*32cm
Screen size & Resolution	10.1 inch
Package contents	Microscope monitor, Base(with light), Column, Remote, Power cable, Metal clip×2, Users Manual

What's In The Box



Microscope monitor



Base



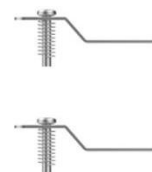
Column



Remote



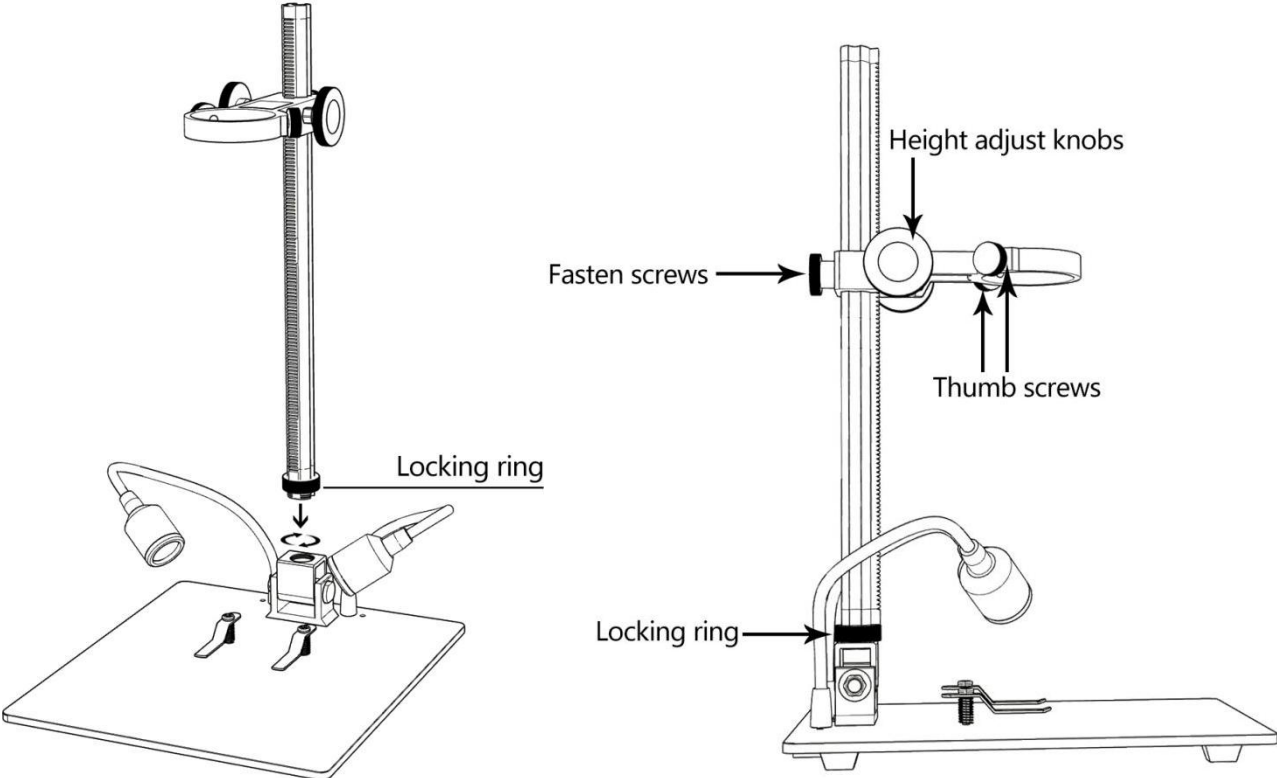
Power cable



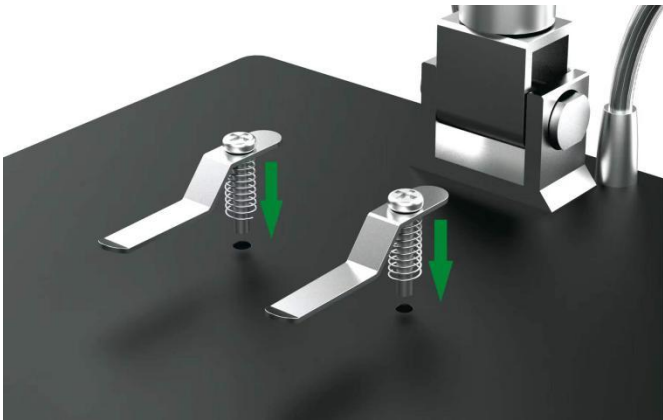
Metal clips

(P1: What's in the box)

Installation

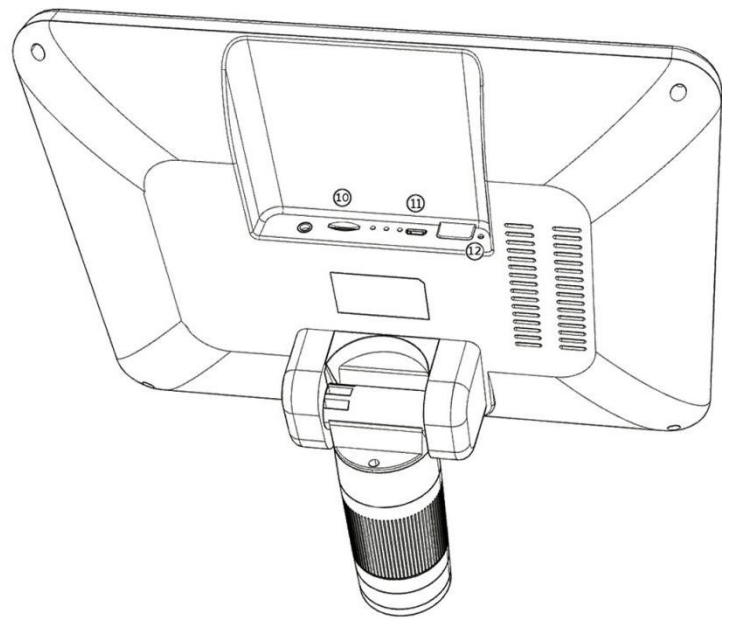
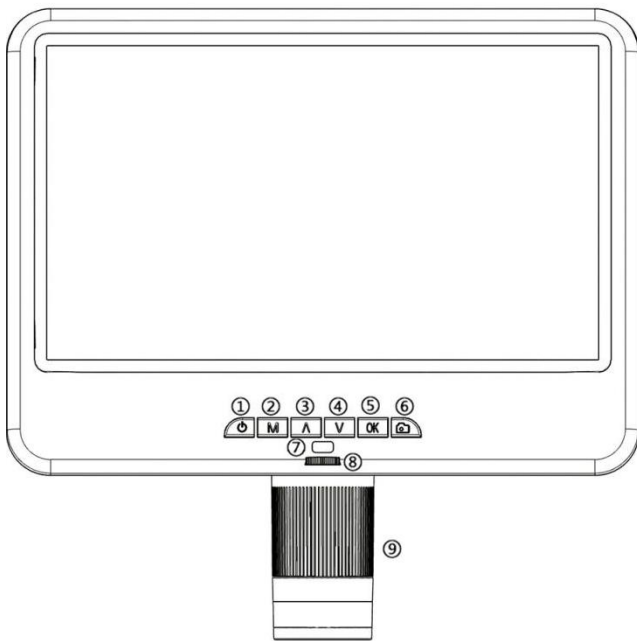


(P2: Install the stand)



(P3: Install the metal clips) (optional)

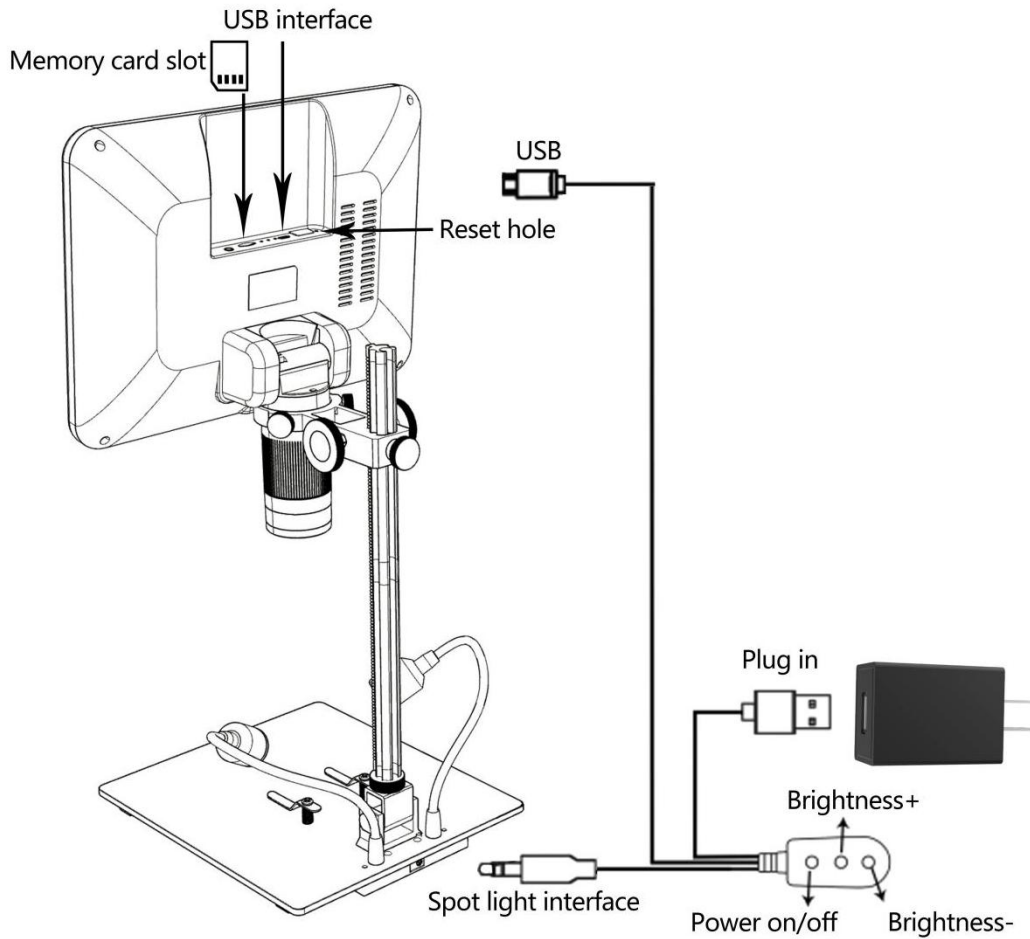
Button Instructions



(P4: Button Instructions)

- ① Power on/off
- ② Menu/Mode
(Long press Menu/press Mode)
- ③ Up (Zoom+)
- ④ Down (Zoom-)
- ⑤ OK/Start video record
- ⑥ Picture capture
- ⑦ Infrared sensor
- ⑧ Light controller
- ⑨ Focus controller
- ⑩ Memory card slot
- ⑪ USB port
- ⑫ Reset hole

Quick Start



(P5: Connection)

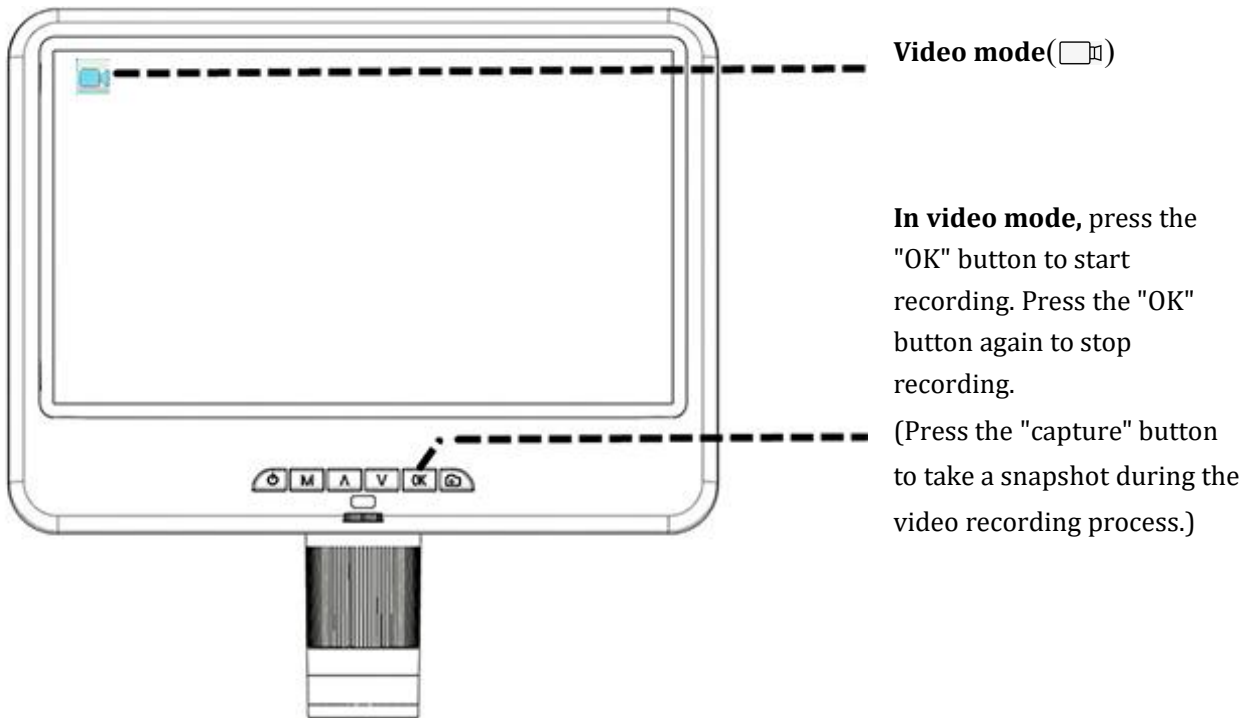
Adjust Magnification & Focus

Rotate the height adjust knob (P2) to adjust object distance, and rotate the focus controller (P4/⑨) to focus.

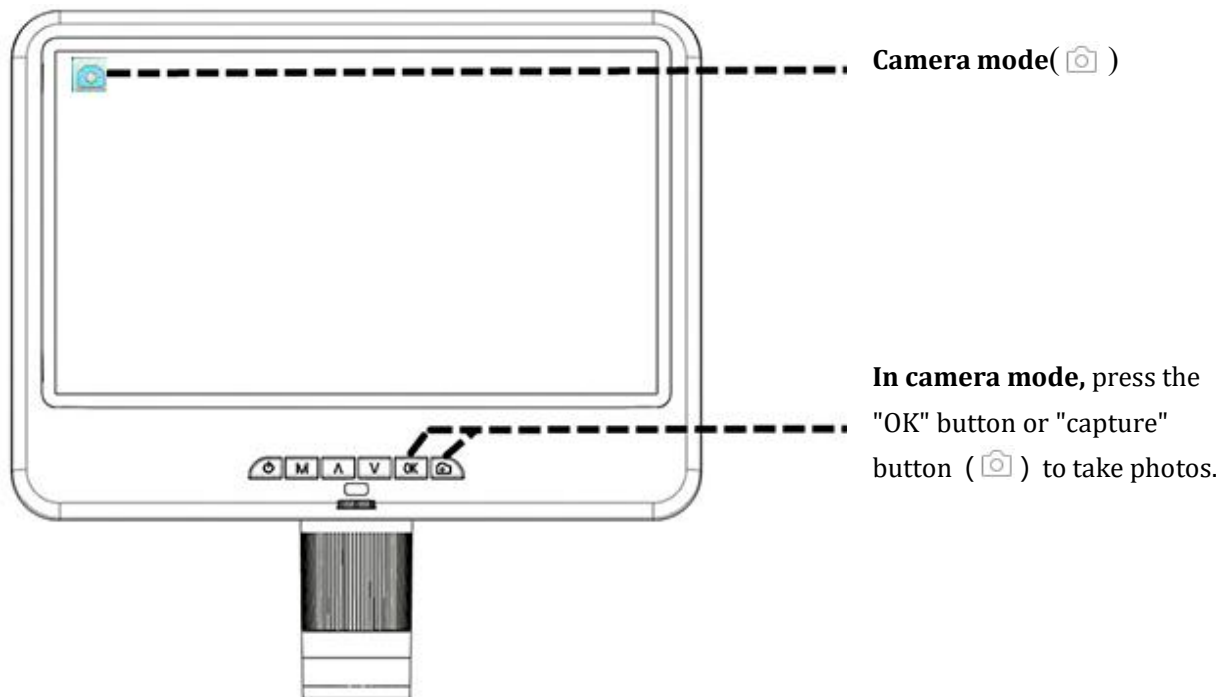
Take Photos and Videos

Insert the memory card in the direction shown in P5, the memory card does not support hot swap. Press the 'M' key to switch between three modes: **Video mode** (📹), **Camera mode** (📷), **Playback mode** (📺).

Record Videos



Take Photos



Review and Manage Images

Press the "MODE" (M) button to enter playback mode. Press the "Up" and "Down" keys to cycle through pictures and videos. When reviewing pictures or videos, long press the "MENU" (M) button to manage files.

Remote Control Instructions



(P6: Remote Control Instructions)

*Image Rotate effect:

Normal

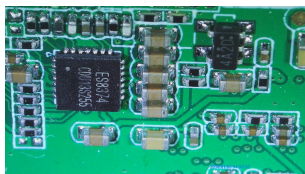


Image Rotate

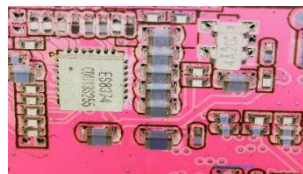


*Inverse effect:

Normal

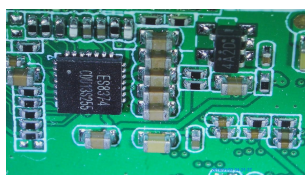


Inverse

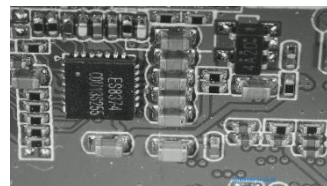


*Black & White effect:

Normal



Black & White



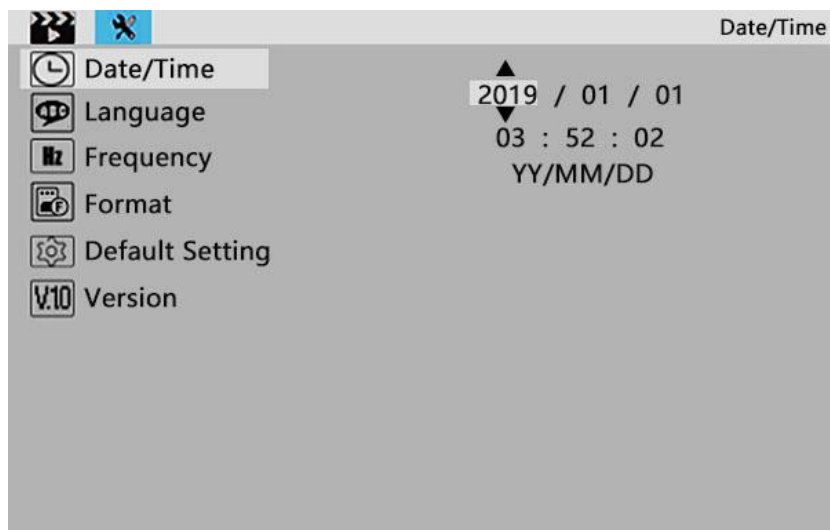
Settings

① Long press the "M" button to enter the video menu of video standby mode:



(P7: video menu)

② Then press the "M" button to get into the set up menu:



(P8: set up menu)

Save Settings

If you need to save the settings, long press the power button (P4/①) to turn off the device after you set everything right. Disrupting the power source directly will result in the loss of any unsaved settings.

Safety and Maintenance

1. Please keep the device in a clean and dry environment, away from oil, water, gas and other materials that may cause corrosion. The product contains tiny parts and is not edible, please operate under the guidance of guardians or teachers to avoid accidental ingestion.
2. When the image quality is poor, clean the lens with a dry, soft cloth.
3. Do not press hard or hit the display with sharp objects. To clean dust from the screen surface or case, wipe with a dry and soft cloth. Never spray water or cleaners directly on the display.

FAQ

1. Why is the device unable to turn on properly?

Please check the circuit and power supply according to the installation instructions (5V 2A power adapter is recommended).

2. Why can't I obtain a clear image?

Please adjust the LED light, object distance, and refocus. If you still can't get a clear image, please wipe the lens gently with a clean cotton cloth etc.

3. Why are the settings unable to be saved?

After all settings are completed, long press the power button to shut down the device. The settings will not be saved if the power is turned off by the power cable or if the power is cut off directly.

4. Why is there a message of crash, memory card error or memory card full after inserting the TF card?

After inserting the TF card, please format it first. It is recommended to use a high-quality TF card with class 10 and above specifications.

Warranty Card

Warranty Card		
User's name :	Address :	
Phone number :	Post code :	email :
Model name :	Purchase date :	
Fault feedback :		
Date :	Fault :	
Notice :		
Our warranty doesn't cover :		
1	If users can not provide the purchase proof or the Warranty.	
2	If users use it in an improper environment or conditions, such as incompatible power supply, hot and humid environment etc.	
3	If the fault caused by accident, oversight, misoperation or natural disasters etc.	
4	If the fault caused by people who are not belong to authorized organizations of our company during repacking, repair, dismantle, Or if users repack, repair or dismantle the device not following our advice.	
5	Out of warranty period.	